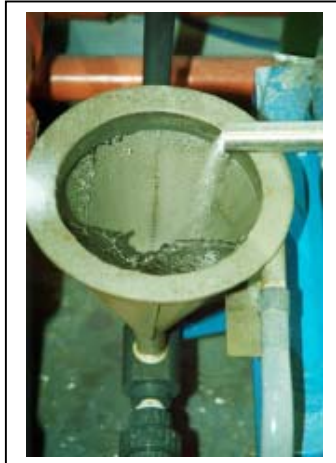


SVENMIX.D DRY CHEMICAL MIXING SYSTEM

The SVENMIX.D is a precise yet simple system for mixing dry chemicals into solution. The chemicals may be powder, granular or bead. The chemical is fed from the sealed hopper by way of the VFD controlled volumetric feeder. The chemical flows into the Washdown Funnel, where the initial wetting and dispersion occurs. The Washdown Funnel is connected to a jet eductor, which conveys the solution to the Mixing/Aging Tank(s) where the chemical solubilization is completed and the solution is aged. The rapid dispersion and solubilization of the chemical as it flows into the Washdown Funnel and through the Jet Eductors allows for short aging time to completely mix the chemical into solution. The SVENMIX.D is flexible system that can be configured for any application or project. The SVENMIX.DMT is configured with a mix tank instead of a Washdown Funnel for slurry or more caustic chemical applications.



Chemical feed into the Washdown Funnel and being drawn through the Jet Eductor



Pictured in the background left is a SVENMIX.D 3325. In the foreground right is an 1100 gal. tank with a SVENMIX LS Mixer. The system automatically makes a 0.15% polymer solution on demand. An ultrasonic level controller in the tank initiates the process. The solution is fed to a belt thickener by the PC pump next to the tank.

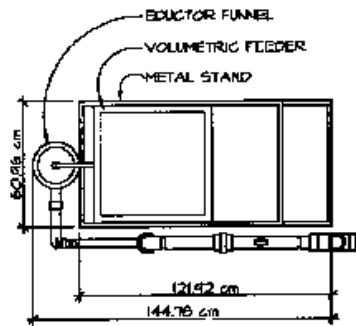
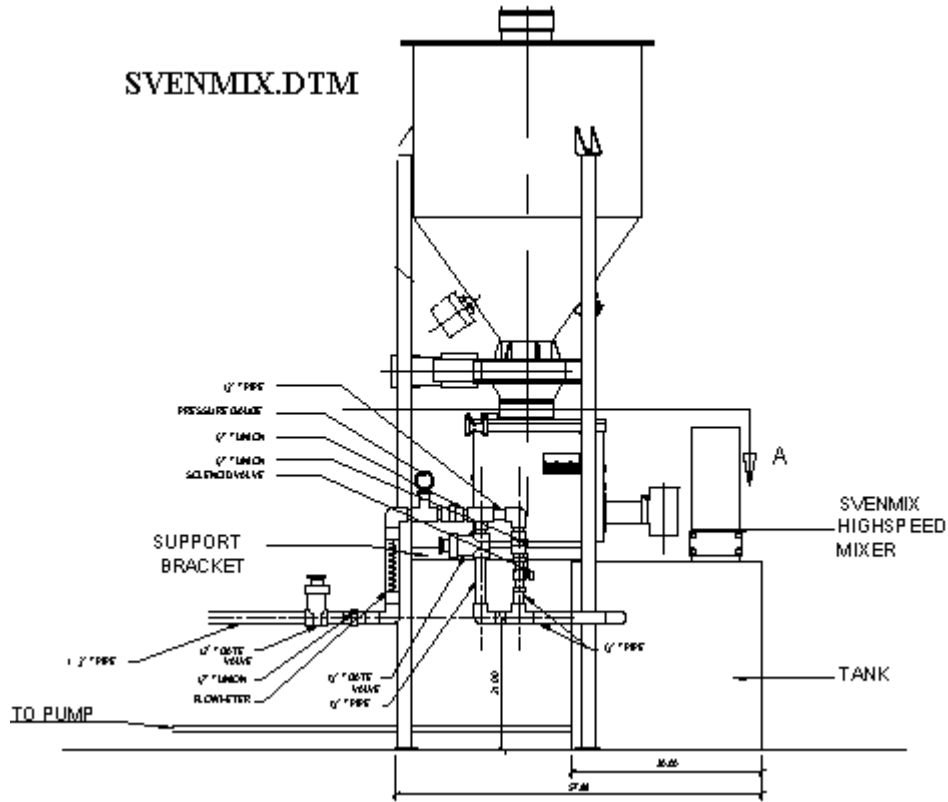
The SVENMIX.D or SVENMIX.DTM can be used to solubilize or put into slurry any dry free flowing, chemical including Soda Ash, Potassium Permanganate, and Hydrated Lime. The systems are constructed of materials inert to the chemical for which they are used.

www.svenviro.com

1.800.658.3955

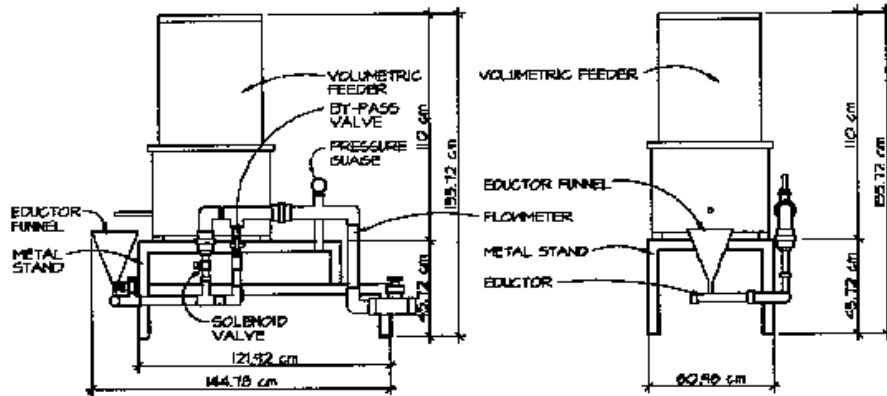
sven@svenviro.com

SVENMIX.D



SVENMIX.D

A TOP VIEW
SCALE: 1:20



B SIDE VIEW
SCALE: 1:20

C END VIEW
SCALE: 1:20