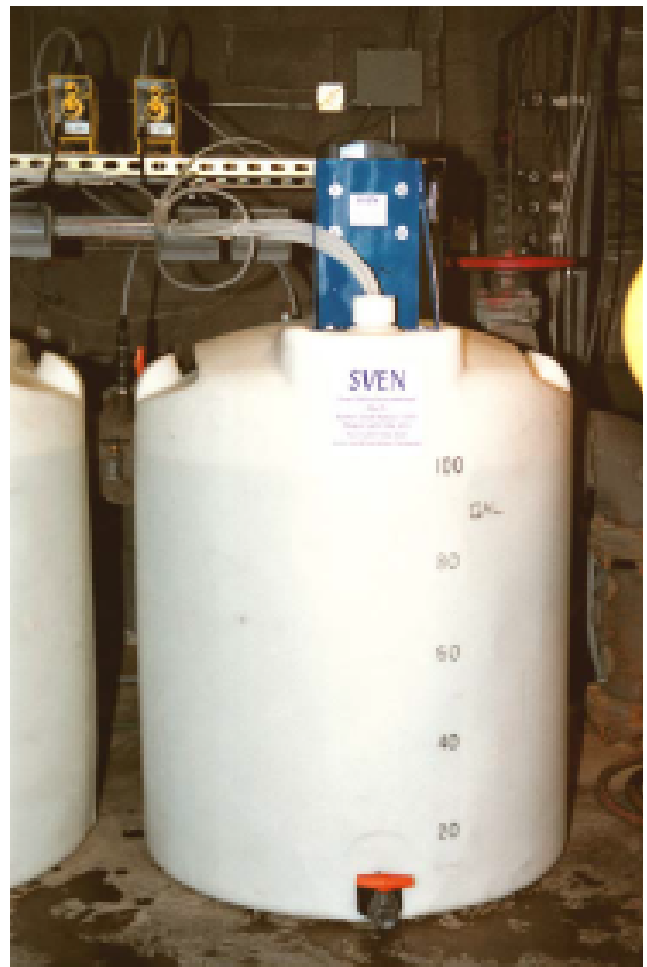


SVENMIX HS MIXERS

DESCRIPTION

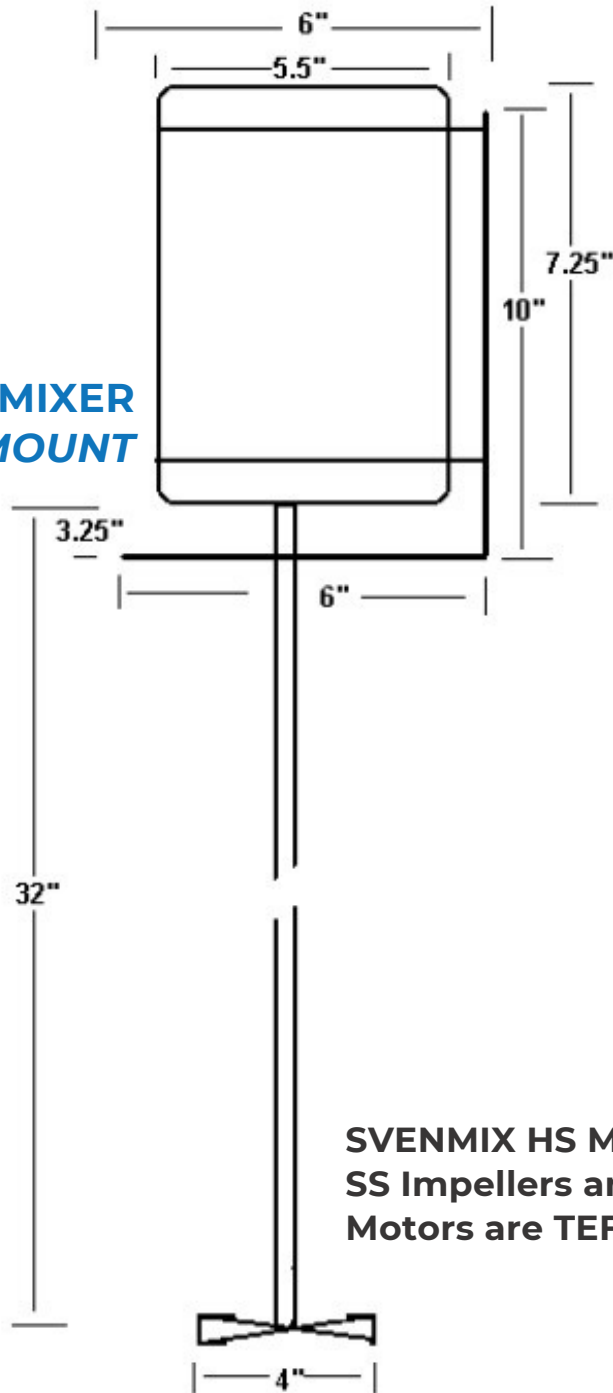
SVENMIX High-Speed Mixers are for high turbulence, aggressive mixing. These Mixers are available in 1/15Hp to 1.0 HP at operating speeds of 1750 RPM.

SVEN uses resilient cradle motors to reduce vibration and stress on the mounting surface and Stainless Steel Shafts and Impellers. Impellers are either 2 blade square or 3 blade propeller type.



SVENMIX HS MIXERS

SVENMIX HS 1/4 HP MIXER
FLANGE MOUNT



SVENMIX HS MIXERS have
SS Impellers and Shafts.
Motors are TEFC resilient cradle base