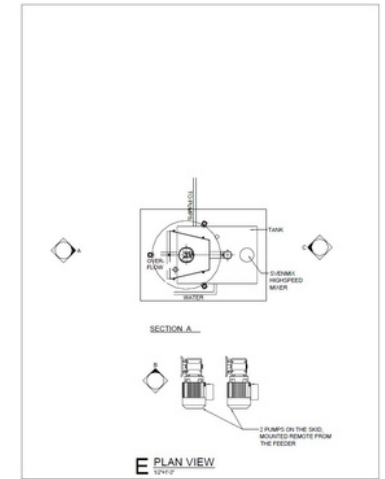
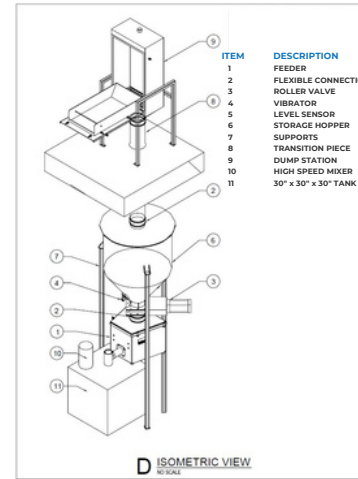
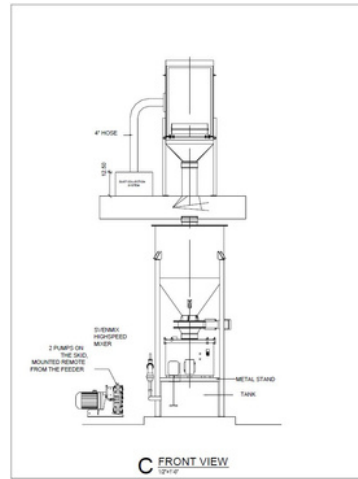
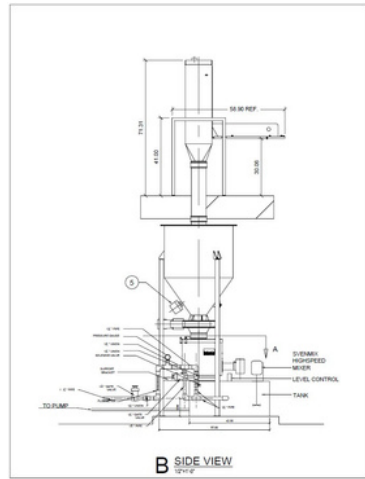
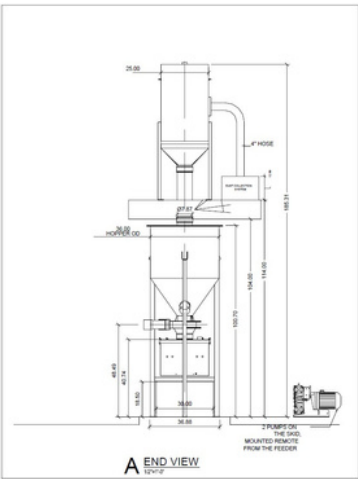
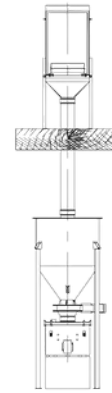
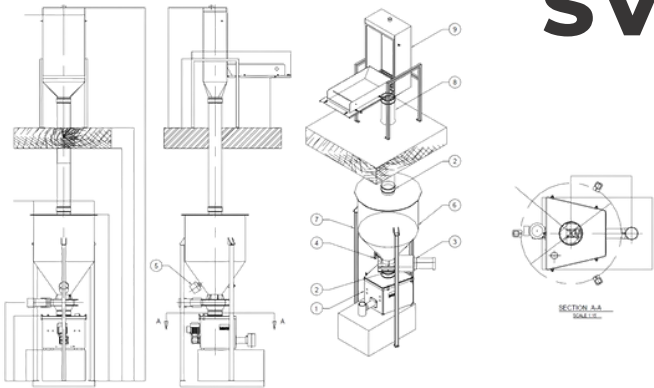


SVENMIX.DTM DRAWINGS



- | ITEM | DESCRIPTION |
|------|----------------------|
| 1 | FEEDER |
| 2 | FLEXIBLE CONNECTION |
| 3 | ROLLER VALVE |
| 4 | VIBRATOR |
| 5 | LEVEL SENSOR |
| 6 | STORAGE HOPPER |
| 7 | SUPPORTS |
| 8 | TRANSITION PIECE |
| 9 | DUMP STATION |
| 10 | HIGH SPEED MIXER |
| 11 | 30" x 30" x 30" TANK |

