

SVENMIX HS MIXERS

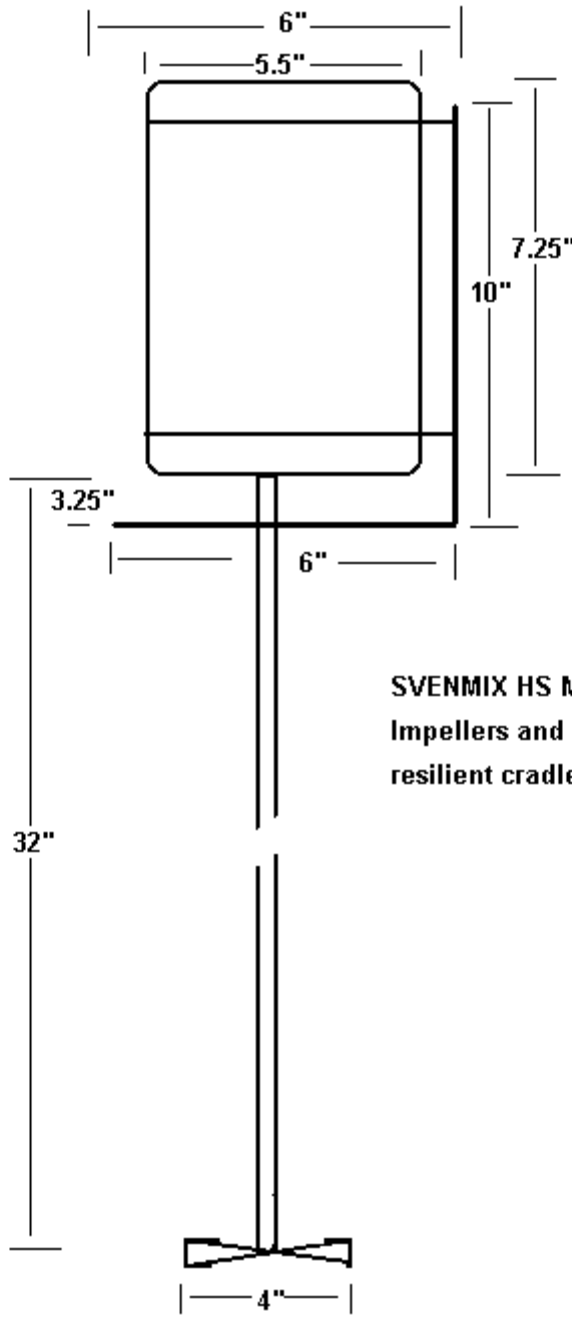
SVENMIX High Speed Mixers for high turbulence, aggressive mixing.



SVENMIX HS High Speed Mixers are available in 1/15Hp to 1.0 HP at operating speeds of 1750 RPM. SVEN uses resilient cradle motors to reduce vibration and stress on the mounting surface and Stainless Steel Shafts and Impellers. Impellers are either 2 blade square or 3 blade propeller type.

SVENMIX HS 1/4 HP MIXER

FLANGE MOUNT



SVENMIX HS MIXERS have SS Impellers and Shafts. Motors are TEFC resilient cradle base.