

# SVENMIX PLUS POLYMER MIXING SYSTEM



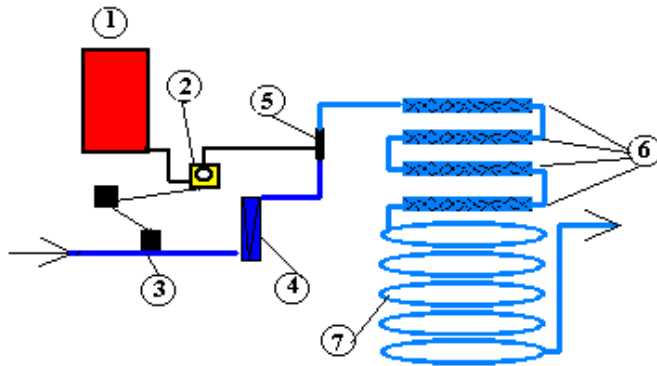
SVENMIX PLUS



SVENMIX PLUS APD

**SIoux VALLEY ENVIRONMENTAL**  
1.800.658.3955 [www.svenviro.com](http://www.svenviro.com) [sven@svenviro.com](mailto:sven@svenviro.com)

# SVENMIX PLUS

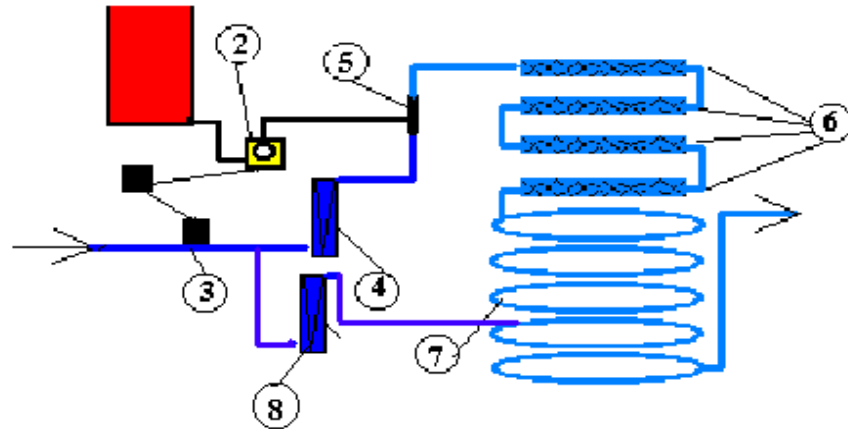


SVENMIX PLUS, Polymer mixing system is an efficient system for producing a homogenous activated polymer solution. The SVENMIX PLUS can be used with either emulsion or solution polymers.

## MAJOR COMPONENTS

1. Integrated calibrated Polymer Reservoir that provides accurate measurement of daily polymer use. The Polymer Reservoir provides flooded suction to the Neat Polymer Pump, which eliminates priming problems.
2. The Neat Polymer Pump has 100% - 0 turn down from maximum capacity. The Neat Polymer Pump injects the polymer into a mixing tee in front of the Primary Mixing Section.
3. The dilution water flows through a Solenoid valve and into the flow meter.
4. The flowmeter measures and controls the amount of dilution water through the system.
5. The Mixing Tee brings the dilution water and the polymer together and outlets into the Primary Mixing Section. This helps eliminate the formation of “fish-eyes”.
6. The polymer and dilution water are blended and mixed through four static mixing sections.
7. The Homogenization section ages the polymer solution and the result is a completely blended and activated polymer solution.

## SVENMIX PLUS APD



SVENMIX PLUS, Polymer mixing system is an efficient system for producing a homogenous activated polymer solution. The SVENMIX PLUS can be used with either emulsion or solution polymers.

### MAJOR COMPONENTS

1. Integrated calibrated Polymer Reservoir that provides accurate measurement of daily polymer use. The Polymer Reservoir provides flooded suction to the Neat Polymer Pump, which eliminates priming problems.
2. The Neat Polymer Pump has 100% - 0 turn down from maximum capacity. The Neat Polymer Pump injects the polymer into a mixing tee in front of the Primary Mixing Section.
3. The dilution water flows through a Solenoid valve and into the flow meter.
4. The flowmeter measures and controls the amount of dilution water through the system.
5. The Mixing Tee brings the dilution water and the polymer together and outlets into the Primary Mixing Section. This helps eliminate the formation of "fish-eyes".
6. The polymer and dilution water are blended and mixed through four static mixing sections.
7. The Homogenization section ages the polymer solution and the result is a completely blended and activated polymer solution.
8. The Post Dilution Flowmeter provides additional dilution water to reduce the polymer Concentration delivered to the point of application.

## SVENMIX PLUS

<b>MODEL</b>	<b>DILUTION WATER CAPACITY</b>	<b>NEAT POLYMER MAX. CAPACITY</b>	<b>MIN % SOLUTION</b>	<b>RESERVOIR</b>
SM105P	0-10 GPM	0.42 GPH (10 GPD)	0.01	5.0 Gal.
SM1010P	0-10 GPM	0.42 GPH	0.01	10.0 Gal.
SM145P	0-10 GPM	0.60 GPH (14 GPD)	0.01	5.0 Gal.
SM1410P	0-10 GPM	0.60 GPH	0.01	10.0 Gal.
SM245P	0-10 GPM	1.0 GPH (24 GPD)	0.015	5.0 Gal.
SM2410P	0-10 GPM	1.0 GPH	0.015	10.0 Gal.
SM485P	0-10 GPM	2.0 GPH (48 GPD)	0.02	5.0 Gal.
SM4810P	0-10 GPM	2.0 GPH	0.02	10.0 Gal.
SM6010P	0-10 GPM	2.5 GPH (60 GPD)	0.03	10.0 Gal.
SM9610P	0-20 GPM	4.0 GPH (96 GPD)	0.01	10.0 Gal.
SM19210P	0-20 GPM	8.0 GPH (192 GPD)	0.02	10.0 Gal.
SM24010P	0-20 GPM	10.0GPH(240 GPD)	0.02	10.0 Gal.

### **DIMENSIONS OF SVENMIX PLUS:**

	<b>SVENMIX PLUS</b>	<b>SVENMIX PLUS APD</b>
5.0 Gal. Tank	24" x 24" x 39"H	24" x 24" x 39"H
10.0 Gal. Tank	24" x 24" x 43.5"H	24" x 24" x 43.5"H

Automatic controls, higher capacities, and larger reservoirs available. Adapters for connection to totes or bulk tanks available on request.

The standard SVENMIX PLUS requires 120 VAC. If 240 VAC or other power requirements are necessary please contact SVEN.

# SVEN

*Sioux Valley Environmental  
720 East Benson Road  
Sioux Falls, South Dakota 57104  
Phone # (605) 336-3955  
Fax # (605) 336-3610*

# **SIOUX VALLEY ENVIRONMENTAL POLYMER MIXING SYSTEMS**



**SVENMIX PLUS**



**SVENMIX PLUS APD**

**SIOUX VALLEY ENVIRONMENTAL has been building chemical mixing and chemical injection systems for the water and wastewater industries since 1978. The SVENMIX PLUS is just one of a family of polymer mixing systems that includes the SVENMIX.D Dry Polymer Mixing System and the SVENMIX.LD Polymer Mixing System for Liquid and/or Dry polymers.**

**[www.senviro.com](http://www.senviro.com)**

**[sven@senviro.com](mailto:sven@senviro.com)**

**1.800.658.3955**

**Fx. 605.336.3610**